



## MULTI-STATION MANIFOLD CETOP 7

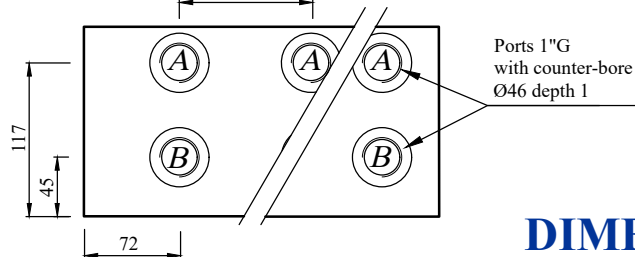
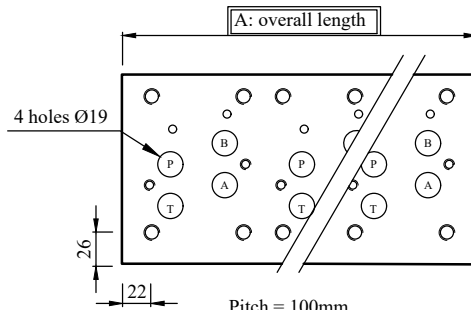
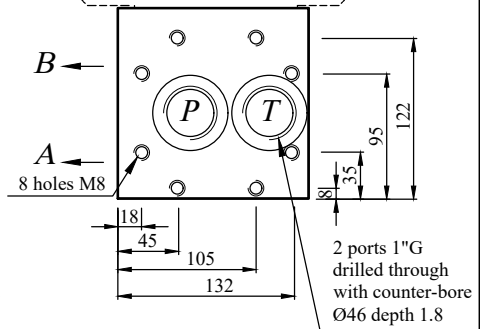
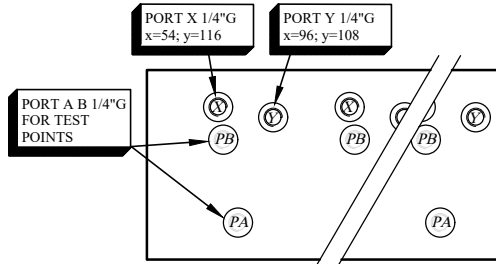
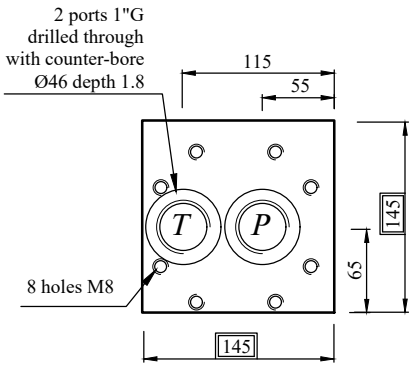
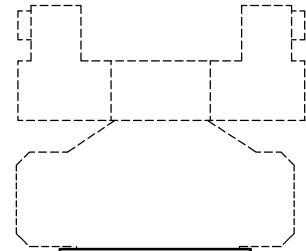
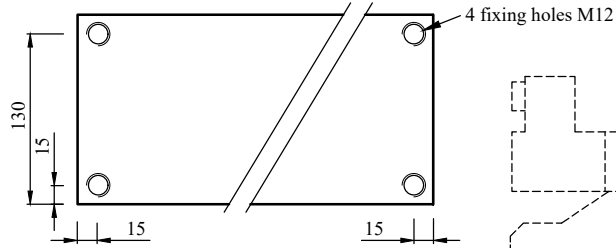
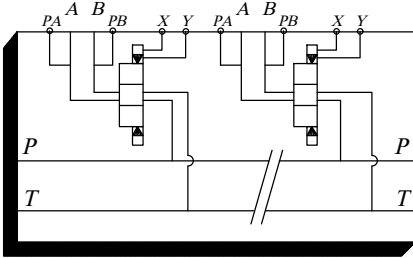
### S7L

A21/1

### SIDE EXIT

- Sorties latérales
- Seitlich

- Service pressure 500bar.
- Possibility to connect with a special manifold.
- Possibility to connect with several block S5 or S7.



Ports 1" G  
with counter-bore  
Ø46 depth 1

### DIMENSIONS

MODEL	A	weight (KG)
S7L1GG	115	15
S7L2GG	215	28
S7L3GG	315	40
S7L4GG	415	53
S7L5GG	515	65

### MODEL CODE

**S 7 L ? G G**

STANDARD  
MANIFOLD

SIZE  
CETOP 7

SIDE  
EXIT

NUMBER OF  
STATIONS  
1,2,3,4,5

TYPE OF PORT  
B.S.P.P.

MATERIALS  
CAST IRON EN GJS-400