



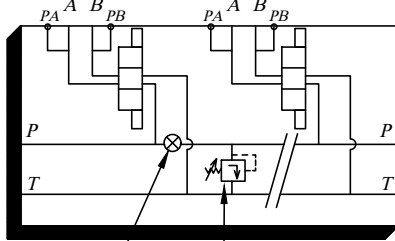
MULTI-STATION MANIFOLD CETOP 5

S5A

A21/2

REAR EXIT

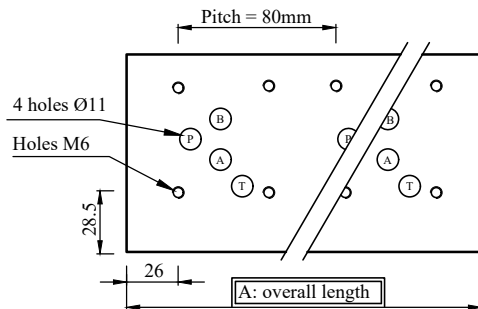
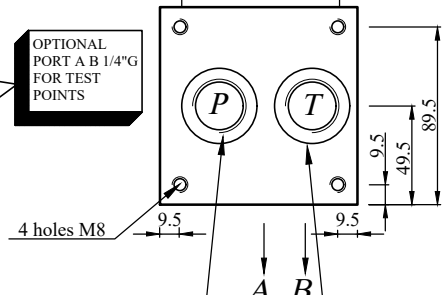
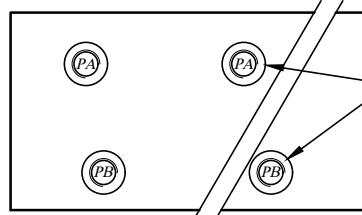
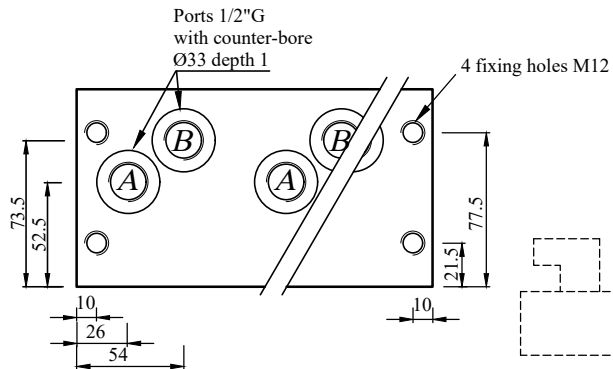
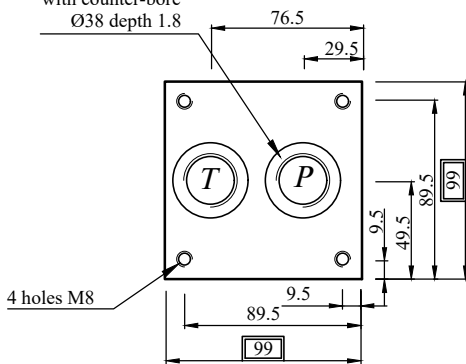
- Sorties arrière.
- Rückseitig.
- Service pressure 700bar for steel.
- Possibility to connect with a special manifold.
- Possibility to connect with several block S3 or S5 or S7.



Cavity C16.2 optional

Tapped hole 3/4"G for possible plug (plug out of supply)

2 ports 3/4"G drilled through with counter-bore Ø38 depth 1.8



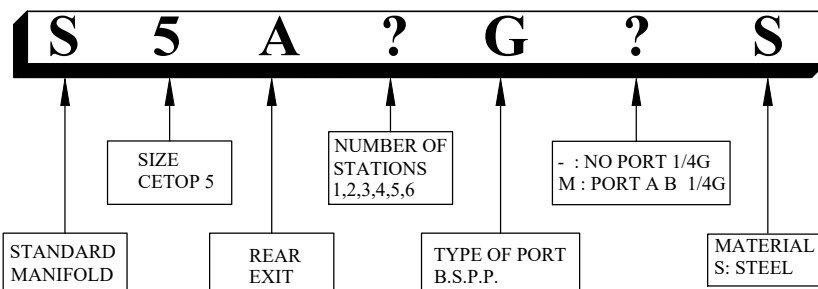
Possible plug to separate the P of first station

2 ports 3/4"G drilled through with counter-bore Ø38 depth 1.8

DIMENSIONS

MODEL	A	weight (KG)
S5A1G-	95	6
S5A2G-	175	11
S5A3G-	255	16
S5A4G-	335	22
S5A5G-	415	27
S5A6G-	495	32

MODEL CODE



STANDARD MANIFOLD

REAR EXIT

TYPE OF PORT B.S.P.P.

MATERIAL S: STEEL



MULTI-STATION MANIFOLD CETOP 5

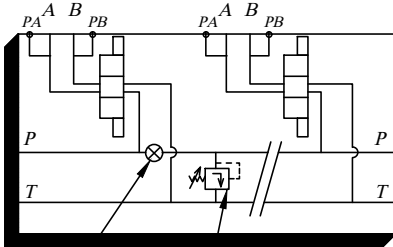
S5L

A21/2

SIDE EXIT

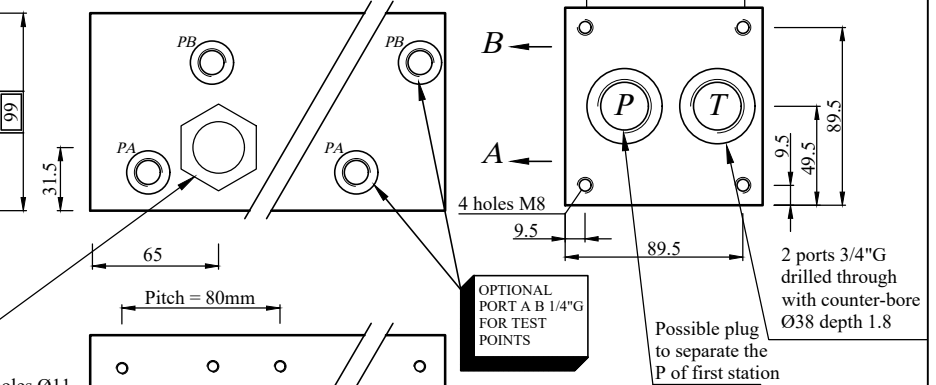
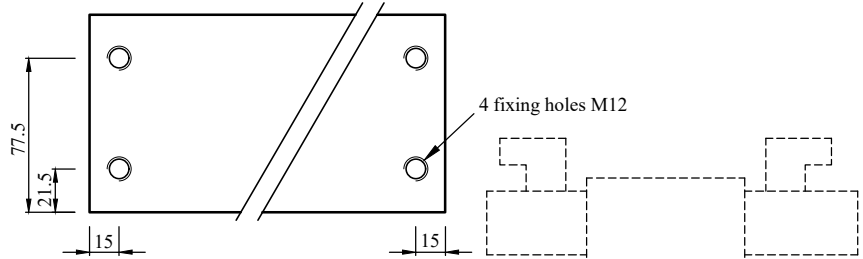
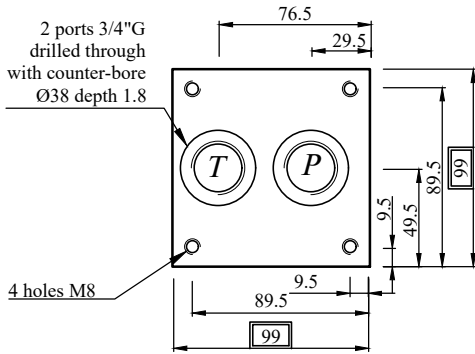
- Sorties latérales
- Seitlich

- Service pressure 700bar for steel - 250bar for Aluminium alloy.
- Possibility to connect with a special manifold.
- Possibility to connect with several block S3 or S5.



Cavity C16.2 optional

Tapped hole 3/4"G for possible plug (plug out of supply)

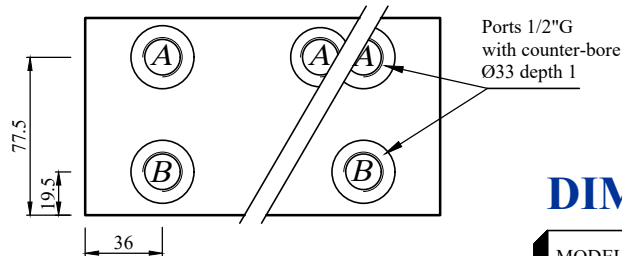
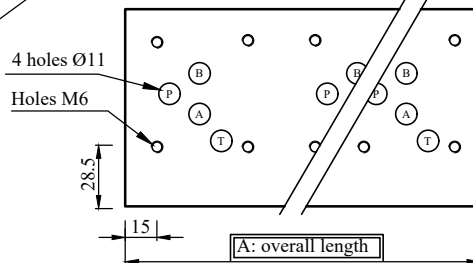
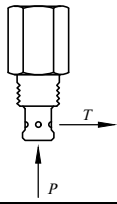


OPTIONAL PORT A B 1/4"G FOR TEST POINTS

* OPTIONAL CAVITY FOR VALVE C16.2 COMPONENT FOR EXAMPLE : (OUT OF SUPPLY)

- * HYDRAFORCE VC16.2 RV16-26
- * EATON C16.2 RV5-16
- * PARKER C16.2 RAH16-1
- * HYDAC FC16.2 DB16P
- ETC...

* AND ALSO :
DIRECTIONAL VALVE
RESTRICTOR
CHECK VALVE



DIMENSIONS

MODEL	A	weight (kg)	
		STEEL	ALU
S5L1G-	75	5	1.8
S5L1GP-	105	7	2.4
S5L2G-	155	10	3.5
S5L3G-	235	15	5.4
S5L4G-	315	20	7.1
S5L5G-	395	25	9.1
S5L6G-	475	30	11

MODEL CODE

