



## MULTI-STATION MANIFOLD CETOP 3

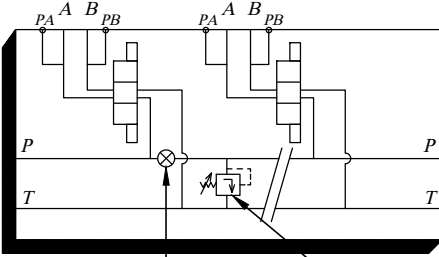
**S3A**

A21/3

### REAR EXIT

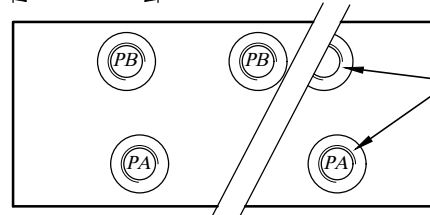
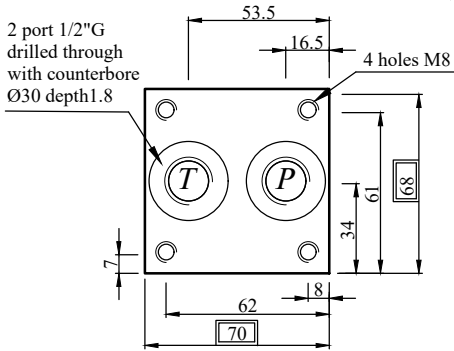
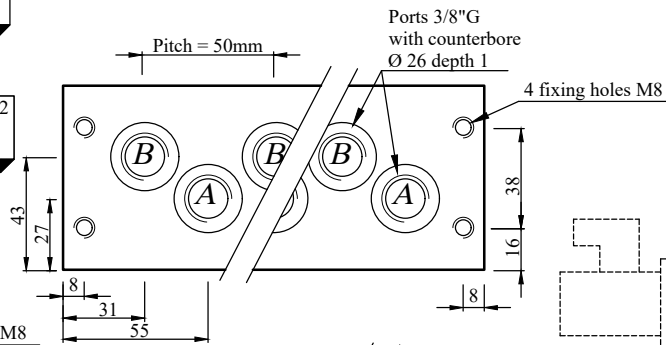
- Sorties arrière
- Rückseitig

- Service pressure 700bar for steel - 300bar for aluminium alloy.
- Possibility of connection with a special manifold.
- Possibility of connection with several block S3 or S5.

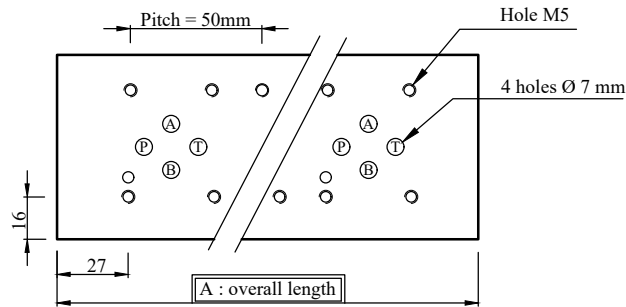
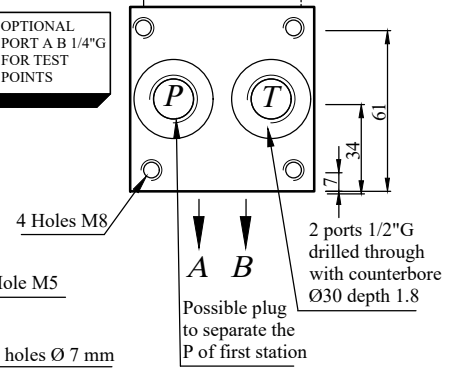


Tapped hole 3/8"G for possible plug to separate the P of first station (plug out of supply)

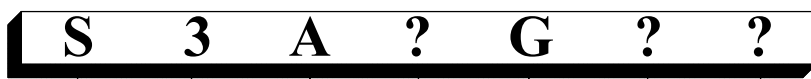
Cavity C10.2 optional



OPTIONAL PORT A B 1/4"G FOR TEST POINTS



### MODEL CODE



STANDARD MANIFOLD

SIZE CETOP 3

REAR EXIT

NUMBER OF STATIONS 1,2,3,4,5,6,7,8

TYPE OF PORT B.S.P.P.

- : NO PORT 1/4G  
M : PORT A B 1/4G

MATERIALS  
S : STEEL  
A : ALU. 2017A

### DIMENSIONS

MODEL	A	weight (kg)	
		STEEL	ALU
S3A1G-	85	2.6	0.9
S3A2G-	135	4.1	1.5
S3A3G-	185	5.7	2.1
S3A4G-	235	7.3	2.6
S3A5G-	285	8.9	3.2
S3A6G	335	10.5	3.8
S3A7G-	385	12.0	4.3
S3A8G-	435	13.6	4.8



## MULTI-STATION MANIFOLD CETOP 3

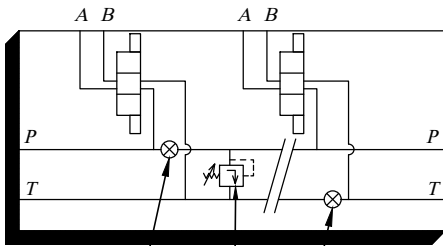
### S3L

A21/2

### SIDE EXIT

- Sorties latérales
- Seitlich

- Service pressure 700bar for steel - 300bar for aluminium alloy.
- Possibility to connect with a special manifold.
- Possibility to connect with several block S3 or S5.

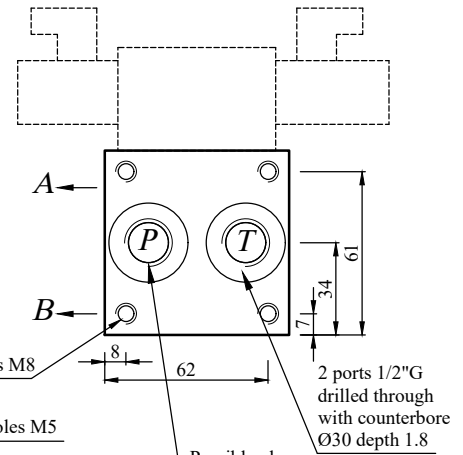
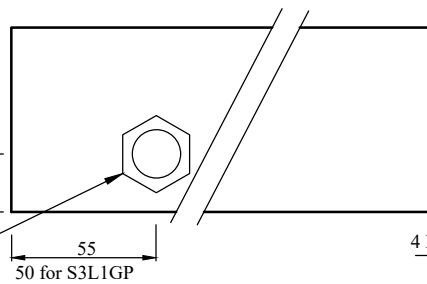
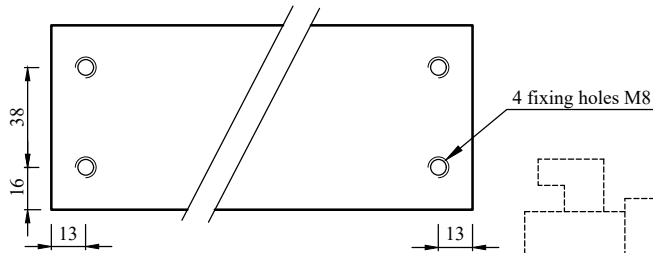
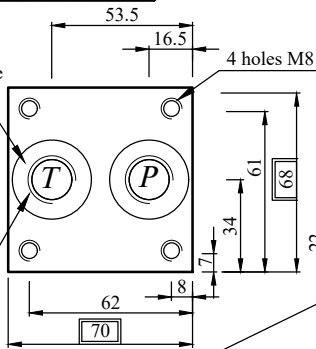


Cavity C10.2 optional

Tapped hole 3/8"G for possible plug (plug out of supply)

2 port 1/2"G drilled through with counterbore Ø30 depth 1.8

Possible plug to separate the T of first station

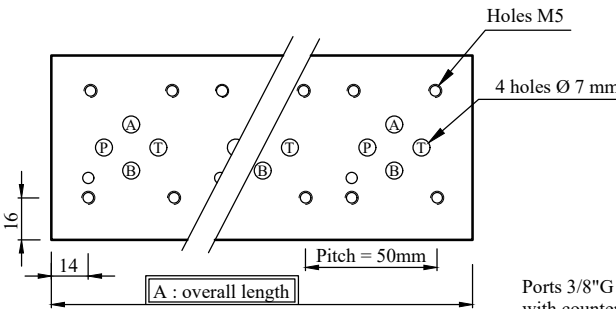
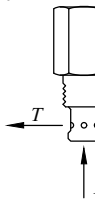


Possible plug to separate the P of first station

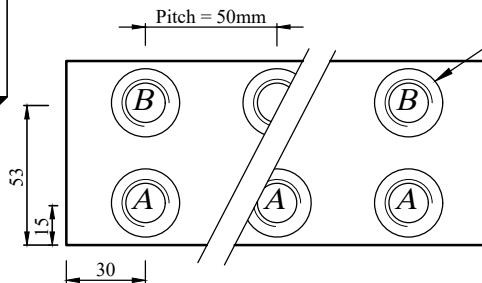
\* OPTIONAL CAVITY FOR VALVE C10.2 COMPONENT FOR EXAMPLE : (OUT OF SUPPLY)

- \* HYDRAFORCE VC10.2 RV10-20/RV10-26
- \* EATON C10.2 RV2-10/RV5-10
- \* PARKER C10.2 RD102
- \* HYDAC FC10-2 DB10P
- ETC...

\* AND ALSO :  
DIRECTIONAL VALVE  
RESTRICTOR  
CHECK VALVE



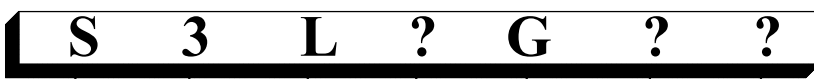
Ports 3/8"G with counterbore Ø 26 depth 1



### DIMENSIONS

MODEL	A	weight (kg)	
		STEEL	ALU
S3L1G-	60	1.7	0.6
S3L1GP-	80	2.3	0.8
S3L2G-	110	3.3	1.2
S3L3G-	160	5.0	1.8
S3L4G-	210	6.6	2.3
S3L5G-	260	8.2	2.9
S3L6G	310	9.7	3.5
S3L7G-	360	11.3	4.0
S3L8G-	410	13.0	4.6

### MODEL CODE



STANDARD MANIFOLD

SIZE CETOP 3

SIDE EXIT

NUMBER OF STATIONS 1,2,3,4,5,6,7,8

TYPE OF PORT B.S.P.P.

- : NO CAVITY  
P : CAVITY C10.2

MATERIALS  
S: STEEL  
A: ALU. 2017A



## MULTI-STATION MANIFOLD CETOP 3

### S3L.M

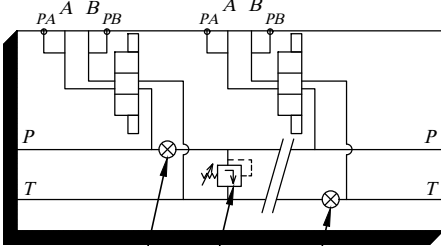
A21/2

WITH PORT 1/8" G ON A & B

**SIDE EXIT**

- Sorties latérales
- Seitlich

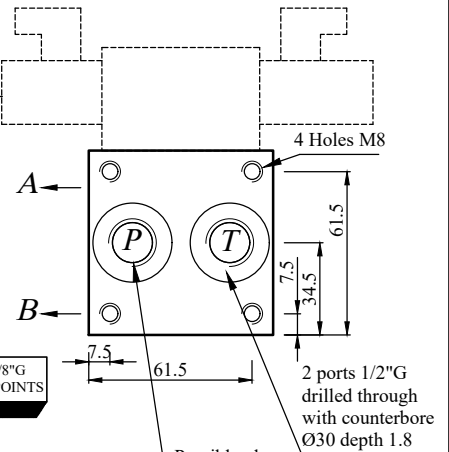
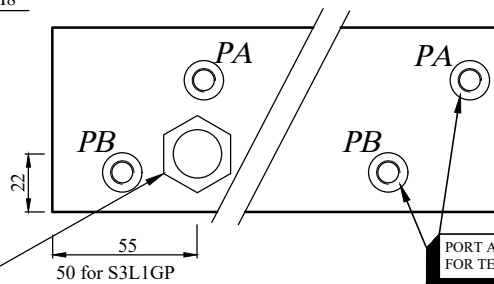
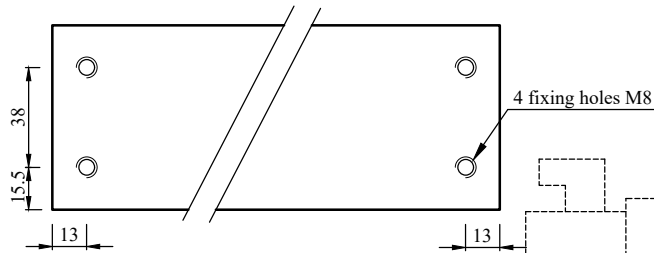
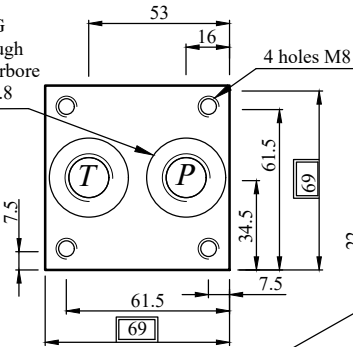
- Service pressure 700bar for steel - 300bar for aluminium alloy.
- Pressure test points 1/8" G on A & B.
- Possibility to connect with a special manifold.
- Possibility to connect with several block S3 or S5.



Cavity C10.2 optional

Tapped hole 3/8" G for possible plug (plug out of supply)

2 port 1/2" G drilled through with counterbore Ø30 depth 1.8

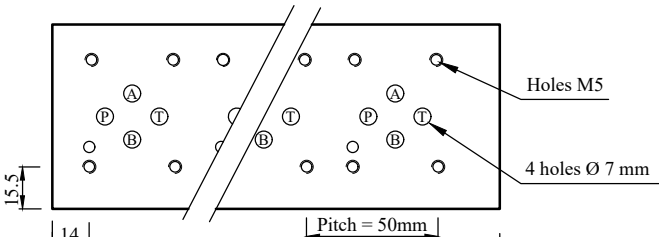
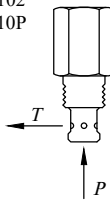


Possible plug to separate the P of first station

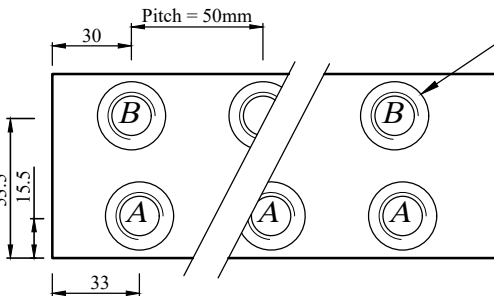
\* OPTIONAL CAVITY FOR VALVE C10.2 COMPONENT FOR EXAMPLE : (OUT OF SUPPLY)

- \* HYDRAFORCE VC10.2 RV10-20/RV10-26
- \* EATON C10.2 RV2-10/RV5-10
- \* PARKER C10.2 RD102
- \* HYDAC FC10-2 DB10P
- ETC...

\* AND ALSO :  
DIRECTIONAL VALVE  
RESTRICTOR  
CHECK VALVE



Ports 3/8" G with counterbore Ø 26 depth 1



## DIMENSIONS

MODEL	A	weight (kg)	
		STEEL	ALU
S3L1GM	70	2.1	0.8
S3L1GPM	80	2.3	0.8
S3L2G-M	120	3.6	1.4
S3L3G-M	170	5.1	1.9
S3L4G-M	220	6.7	2.5
S3L5G-M	270	8.3	3.0
S3L6G-M	320	9.9	3.6
S3L7G-M	370	11.5	4.1
S3L8G-M	420	13.1	4.6

## MODEL CODE

**S 3 L ? G ? M ?**

STANDARD MANIFOLD

SIZE CETOP 3

SIDE EXIT

NUMBER OF STATIONS 1,2,3,4,5,6,7,8

TYPE OF PORT B.S.P.P.

- : NO CAVITY  
P : CAVITY C10.2

MATERIALS  
S: STEEL  
A: ALU. 2017A

PORTS 1/8" G ON A & B FOR PRESSURE TEST POINT