

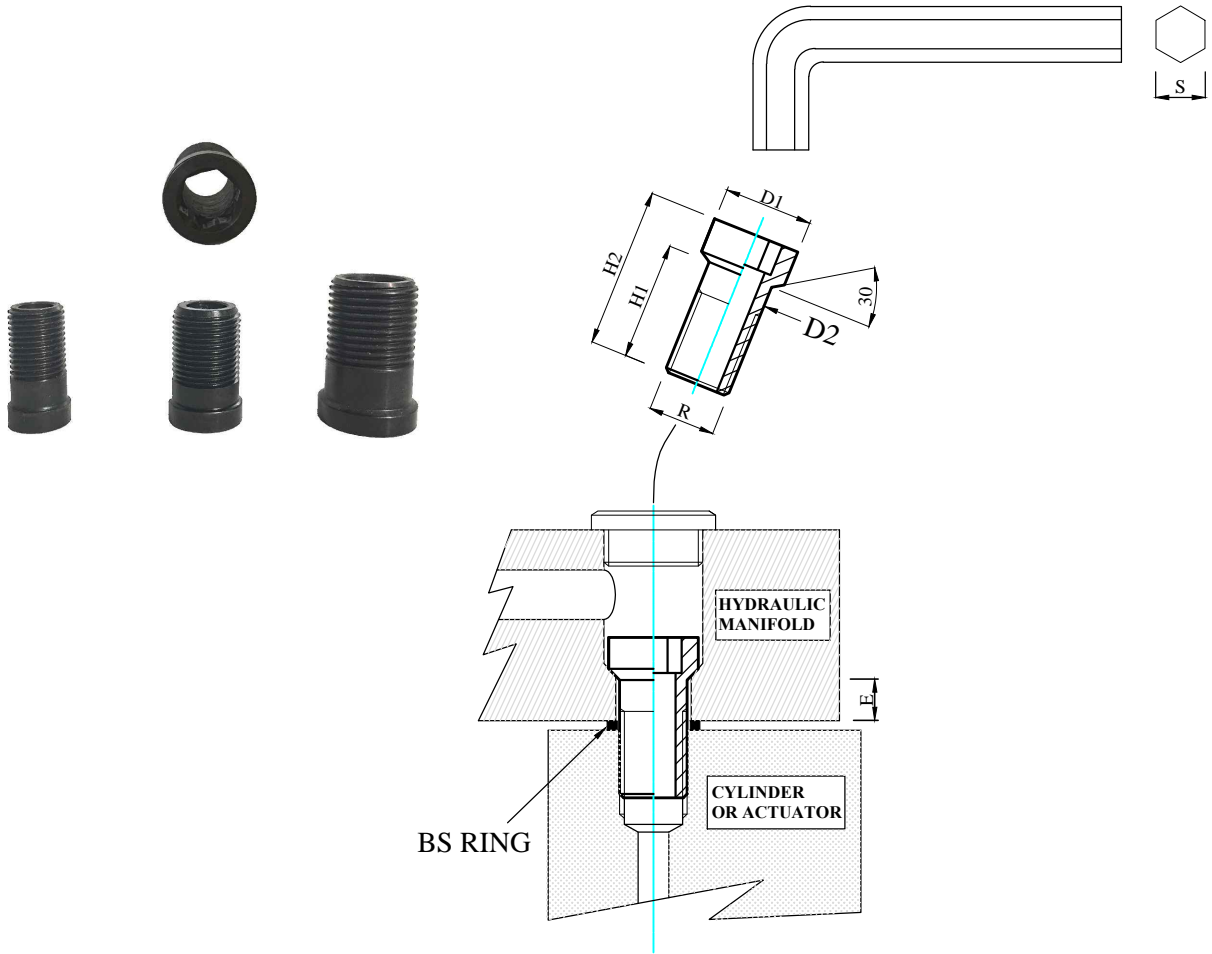


HOLLOW SCREW - VIS CREUSE

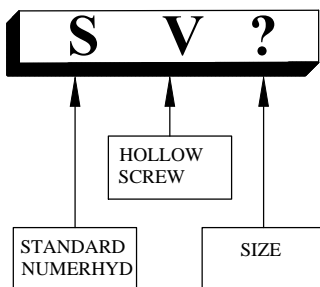
SV

A12/1

- Stud thread BSP Parallel
- Max service pressure 350B
- BS Ring steel; Perbunan seal



MODEL CODE



DIMENSIONS

- BS-Ring are supplied

MODEL	R	D1	D2	H1	H2	E	S	BS (SEAL)	weight
SV 1/4G	1/4"	14.9	13.2	23.5	29	10	8	13.74*20.57*2.03	20g
SV 3/8G	3/8"	18.5	16.7	23.5	29	10	10	17.28*23.80*2.03	30g
SV 1/2G	1/2"	24	21	30	36	14	14	21.54*28.58*2.49	55g
SV 3/4G	3/4"	29.5	26.5	38	48	20	19	27.05*34.93*2.49	100g
SV 1G	1"	38	33.2	39.5	53	20	22	33.89*42.80*2.50	170g